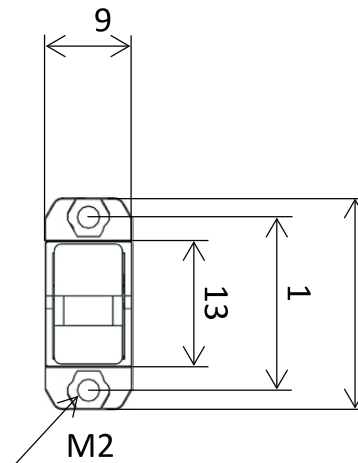
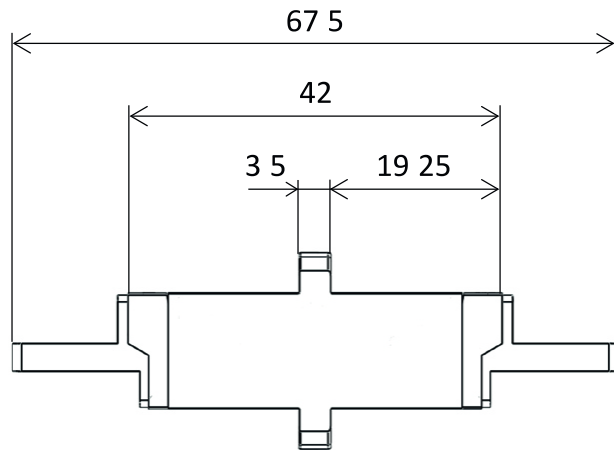


Technical Datasheet

FO Coupling E2000[®] Singlemode



Article No.
LZAS15SP

grade	B - Premium
color	blue
sleeve material	ceramic
insertion loss (max.)	<0,10 dB
matings	1000
operating temperature	-40 ~ +75°C

drawn	06.07.2018	LP
appr.	06.07.2018	MJ
Titel:		
FO Adapter E2000 [®] (P) Singlemode s4u		
Drawing Number:		
ZN-FO181407		



Dimensions: mm

Original: DIN A4

Sheet 1 of 1