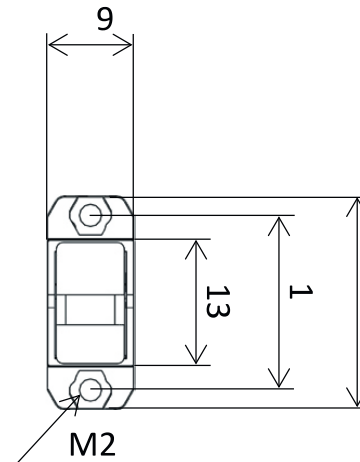
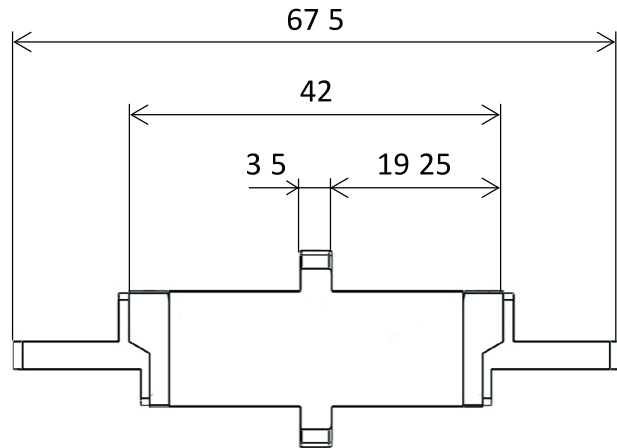



Technical Datasheet

FO Coupling E2000[®] Multimode



Article No.
LZAM15SP

grade	B - Premium
color	black
sleeve material	ceramic
insertion loss (max.)	<0,10 dB
matings	1000
operating temperature	-40 ~ +75°C

b a	Rev. Index	Anderung Spz. Neuerstellung	Revision code	Date	TG LP	Name	drawn	06.07.2018	LP
							appr.	06.07.2018	MJ
Titel:							 EasyLan[®] ...for a better connectivity		
FO Adapter E2000 [®] (P) Multimode s4u							Dimensions: mm		
Drawing Number:							Original: DIN A4		
ZN-FO181406							Sheet 1 of 1		