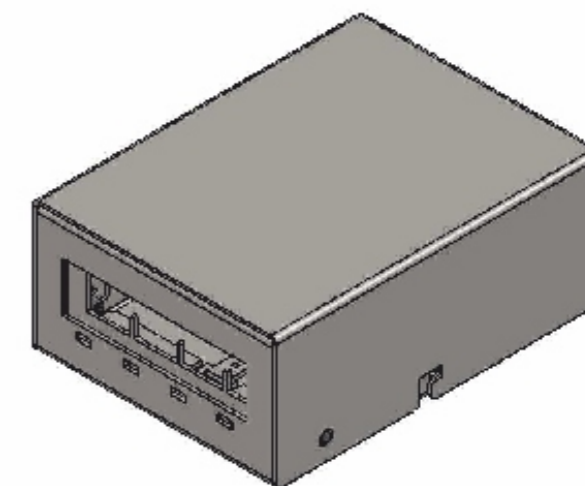
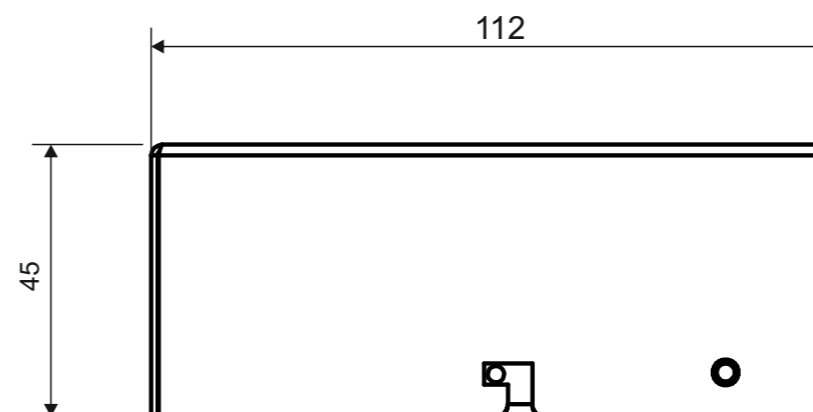
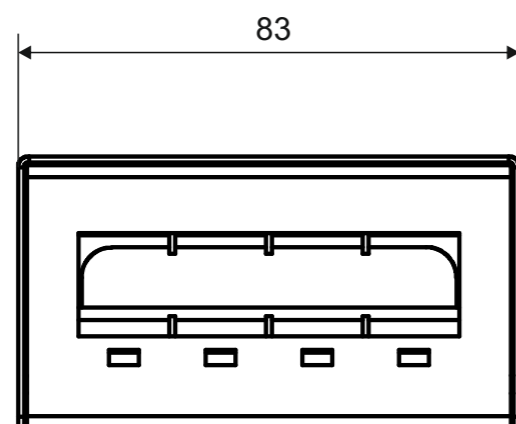


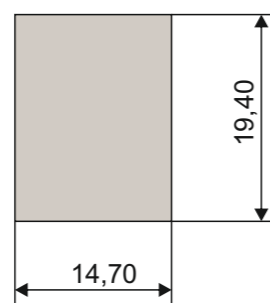
# Technical Datasheet

preLink® / fixLink® Desk Consolidation Point Panel  
for 4 Keystone modules

Article No. : CKVPL0041E (RAL7035) / CKVPL0042E (RAL 9005)



Gap size



Material	steel zinc plated
Surface	powder-coated

drawn	24.03.2016	KA
appr.	24.03.2016	MJ
Titel: preLink® / fixLink® Desk Consolidation Point Panel for 4 Keystone modules		
Drawing Number: <b>ZN-BL161024</b>		



Dimensions: mm

Original: DIN A3

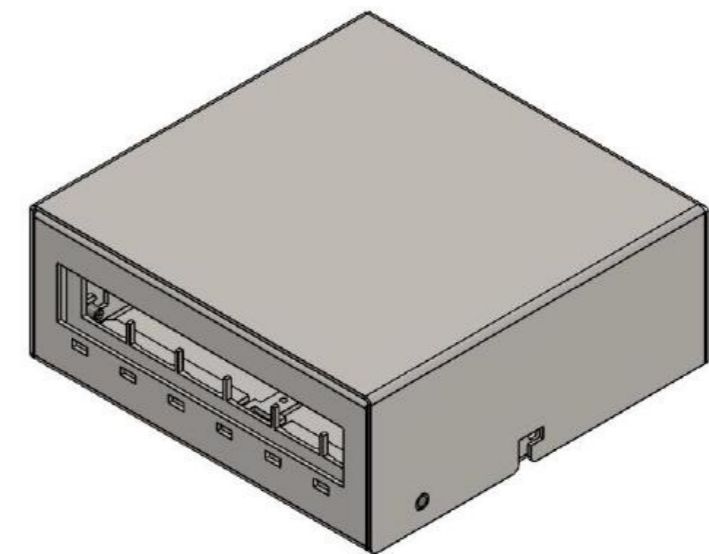
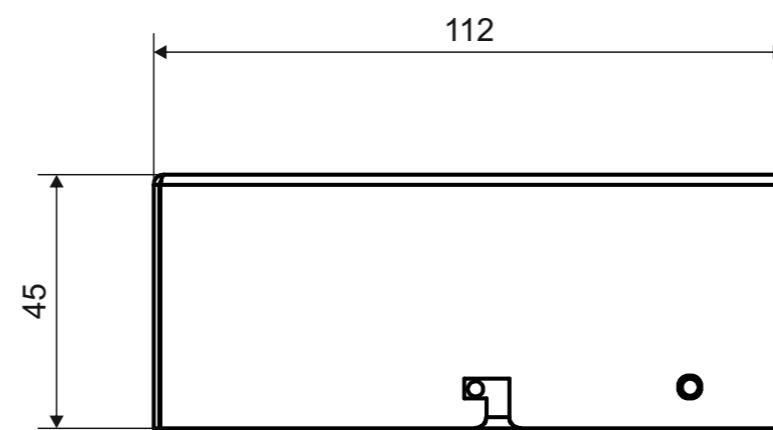
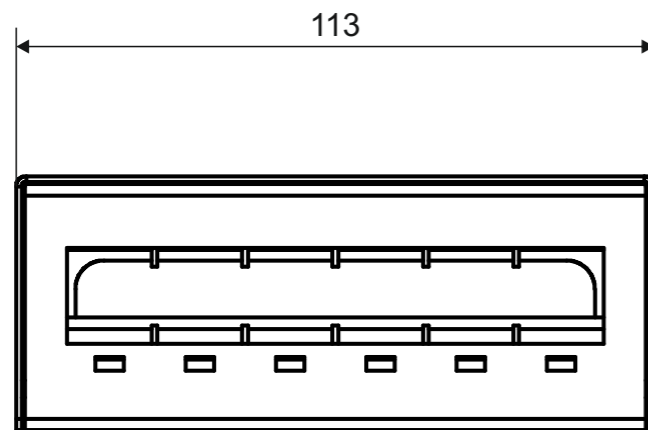
Sheet 1 of 4

All rights reserved ZVK GmbH D-94244 Teisnach Technologiecampus 2 Germany Phone: +49 9923 804379-0 Fax: +49 9923 804379-50 www.zvk-gmbh.de

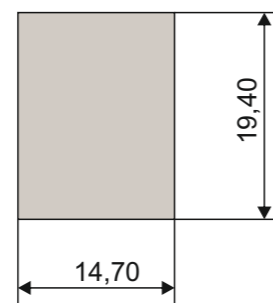
# Technical Datasheet

preLink® / fixLink® Desk Consolidation Point Panel  
for 6 Keystone modules

Article No. : CKVPL0061E (RAL7035) / CKVPL0062E (RAL 9005)



Gap size



Material	steel zinc plated
Surface	powder-coated

drawn	24.03.2016	KA
appr.	24.03.2016	MJ
Titel: preLink® / fixLink® Desk Consolidation Point Panel for 6 Keystone modules		
Drawing Number: <b>ZN-BL161024</b>		

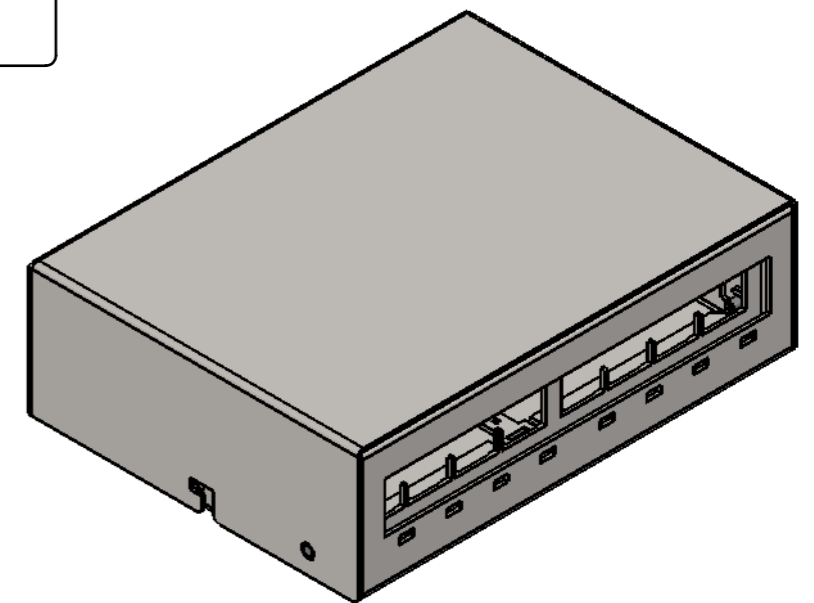
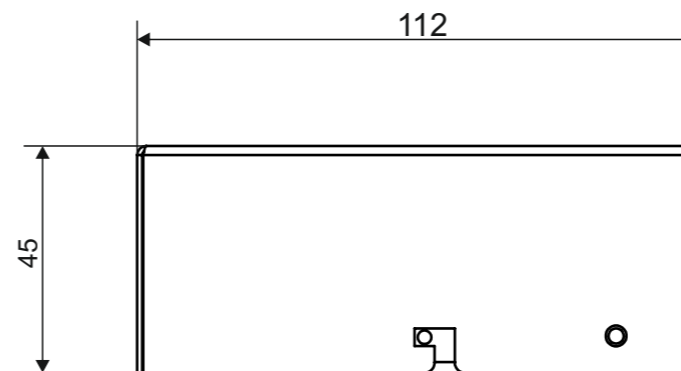
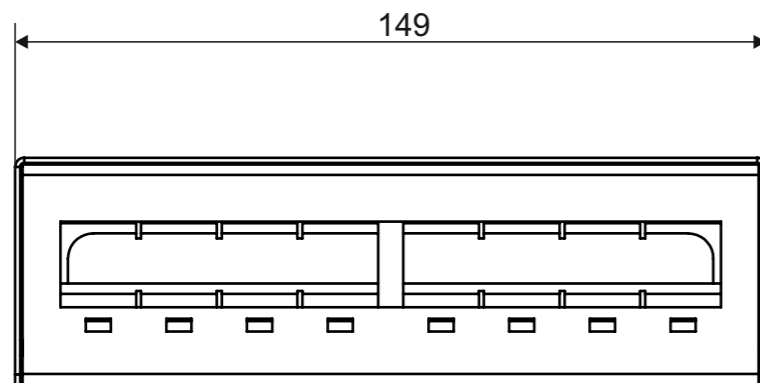


Dimensions: mm  
Original: DIN A3  
Sheet 2 of 4

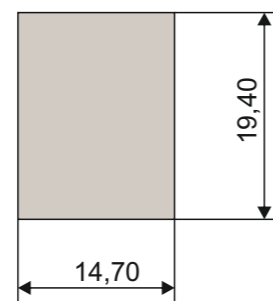
# Technical Datasheet

preLink® / fixLink® Desk Consolidation Point Panel  
for 8 Keystone modules

Article No. : CKVPL0081E (RAL7035) / CKVPL0082E (RAL 9005)



Gap size



Material	steel zinc plated
Surface	powder-coated

drawn	24.03.2016	KA
appr.	24.03.2016	MJ
Titel: preLink® / fixLink® Desk Consolidation Point Panel for 8 Keystone modules		
Drawing Number: <b>ZN-BL161024</b>		
b a	Änderung Spr. Neuerstellung	11.12.2023 24.03.2016
Rev. Index	Revision code	Date Name
		TG KA

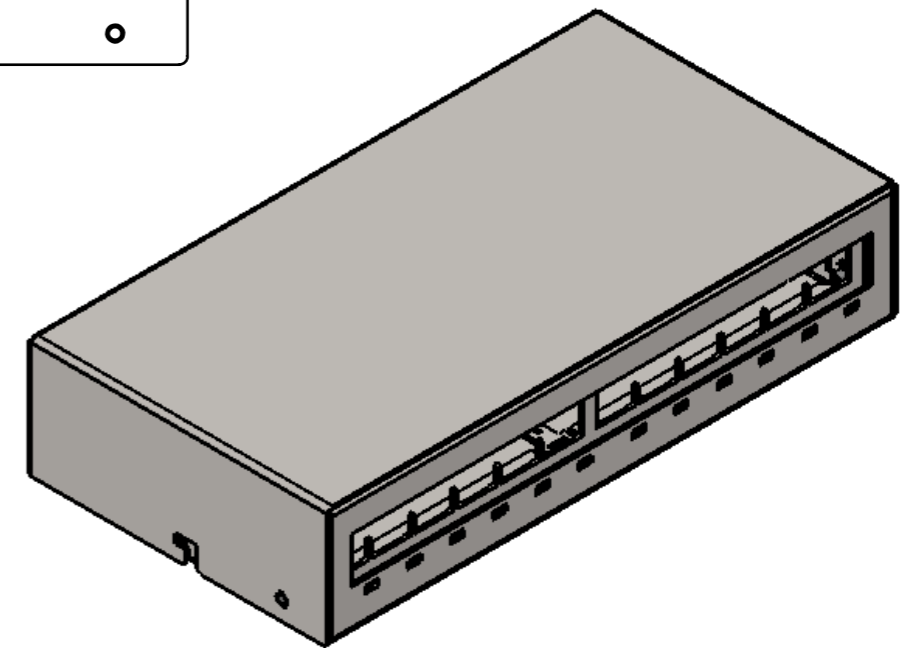
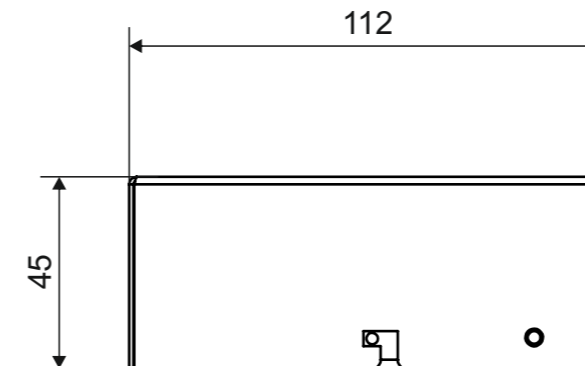
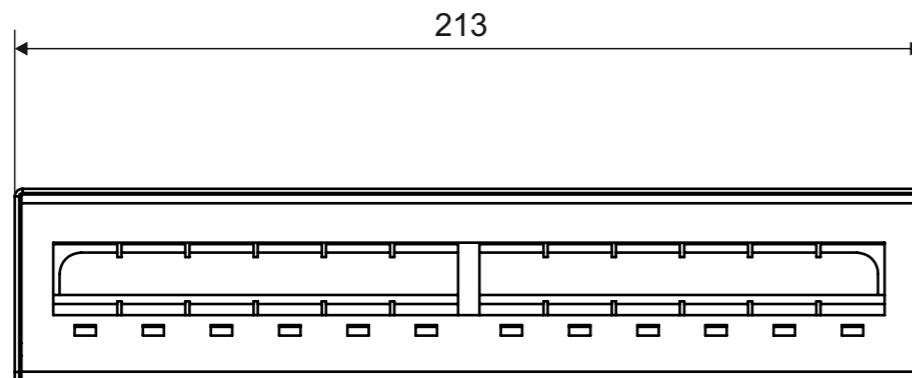


Dimensions: mm  
Original: DIN A3  
Sheet 3 of 4

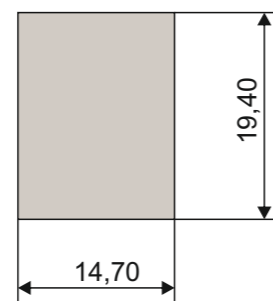
# Technical Datasheet

preLink® / fixLink® Desk Consolidation Point Panel  
for 12 Keystone modules

Article No. : CKVPL0121E (RAL7035) / CKVPL0122E (RAL 9005)



Gap size



Material	steel zinc plated
Surface	powder-coated

drawn	24.03.2016	KA
appr.	24.03.2016	MJ
Titel: preLink® / fixLink® Desk Consolidation Point Panel for 12 Keystone modules		
Drawing Number: <b>ZN-BL 161024</b>		
b a	Änderung Spr. Neuerstellung	11.12.2023 24.03.2016
Rev. Index	Revision code	Date
		Name



Dimensions: mm  
Original: DIN A3  
Sheet 4 of 4