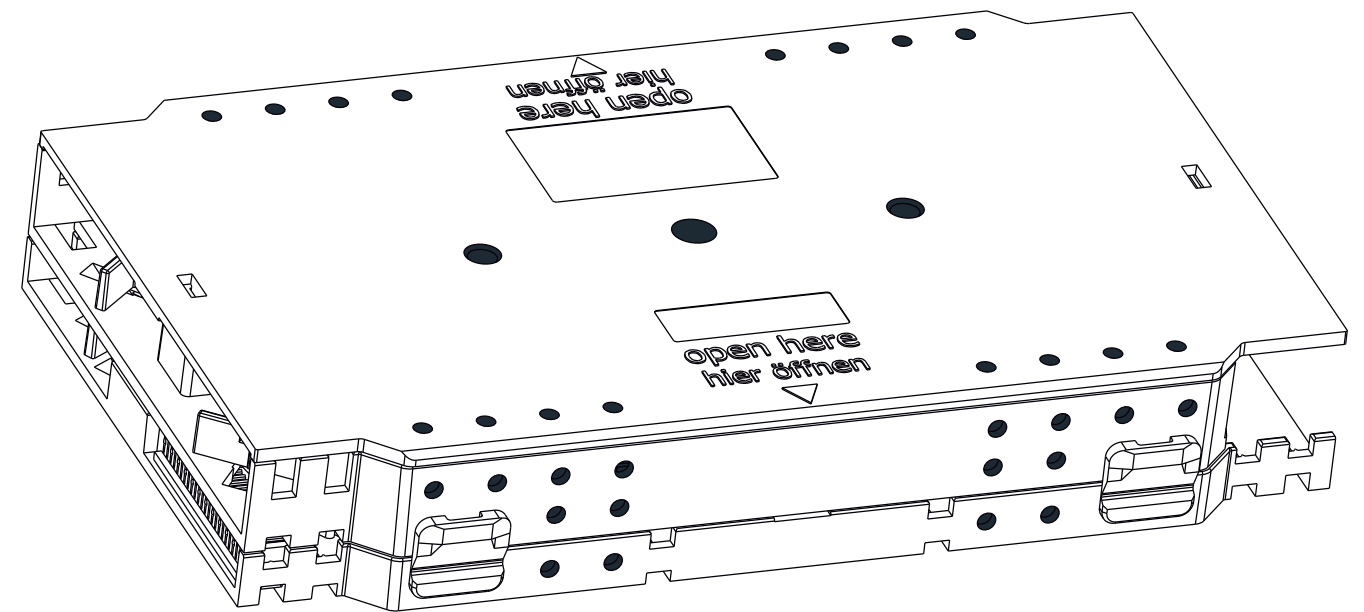
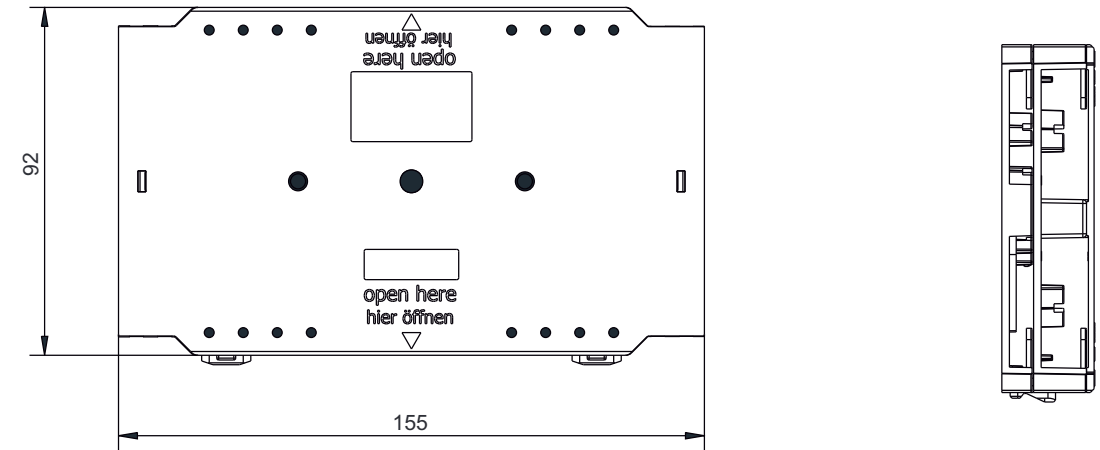
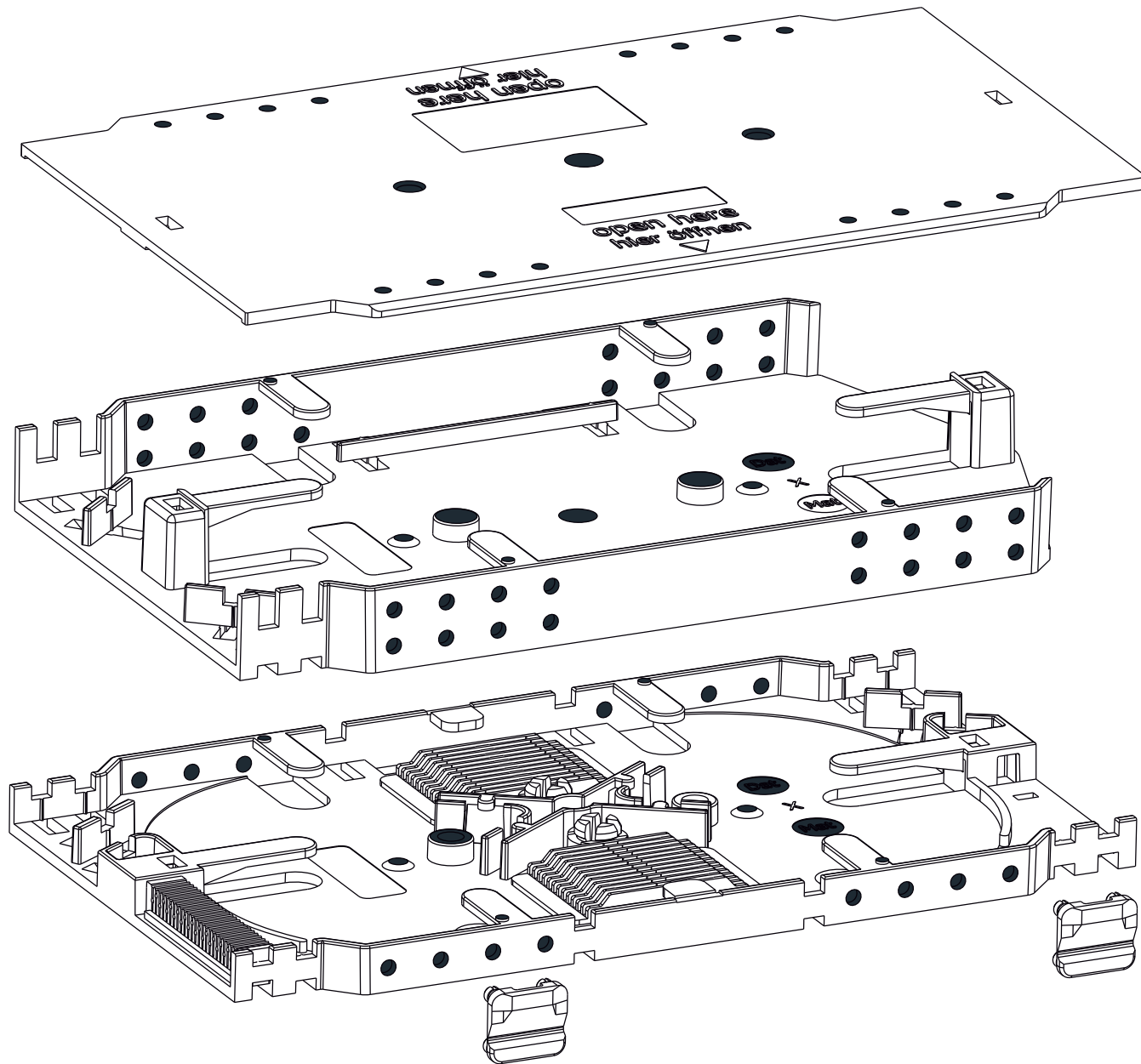



# Technical Datasheet

## EasyLan<sup>®</sup> Splice Cassettes System

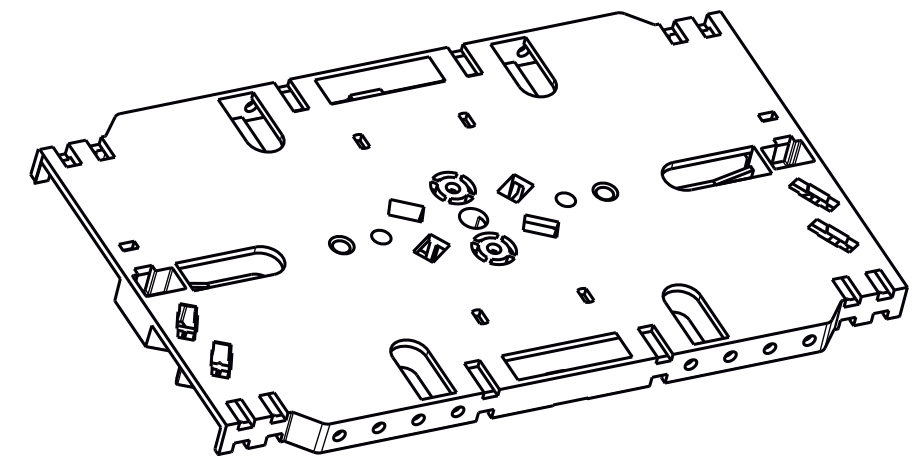
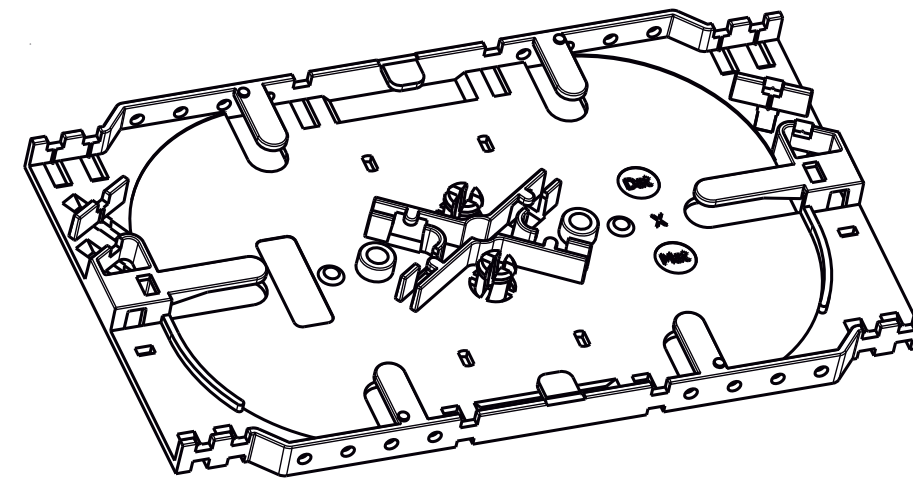
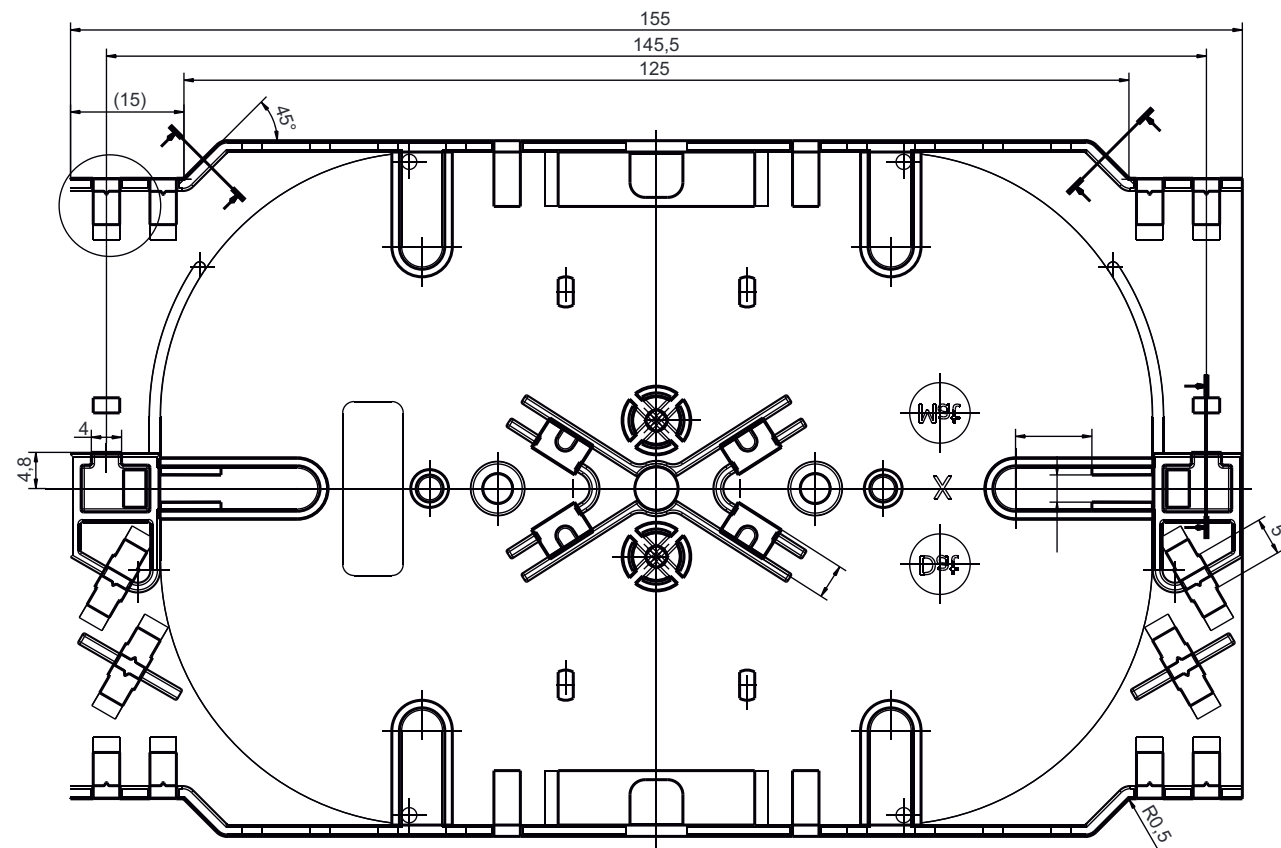


b	Änderung	02.11.2022	LE	drawn	25.07.2017	LP	 <b>EasyLan<sup>®</sup></b> ...for a better connectivity
	a	Neuerstellung	25.07.2017	LP	appr.	25.07.2017	
Titel: <b>EasyLan<sup>®</sup> Splice Cassettes System</b>							Dimensions: mm
Drawing Number: <b>ZN-ZB171101</b>							Original: DIN A3
Index	Revision code	Date	Name				Sheet 1 of 7

# Technical Datasheet

## EasyLan<sup>®</sup> Splice Cassettes

Article No. : LVZ00014



<b>Material</b>	PC / ABS RAL 7035
<b>Surface</b>	Ra 1,8 VDI 3400 Ref.24

drawn	25.07.2017	LP
appr.	25.07.2017	MJ
Titel: EasyLan <sup>®</sup> Splice Cassettes System		
Drawing Number: ZN-ZB171101		

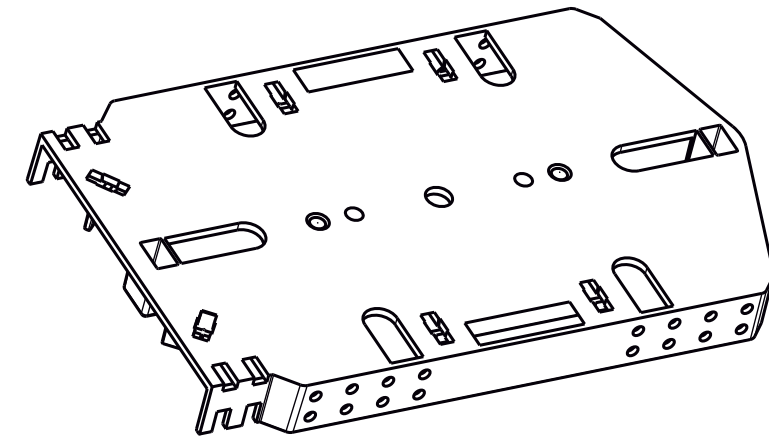
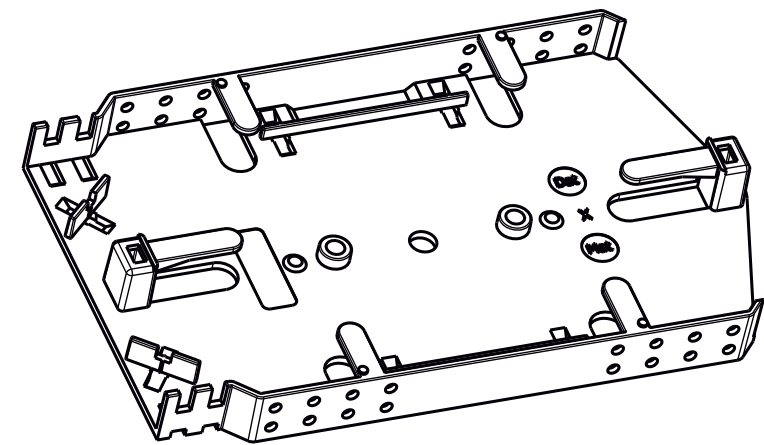
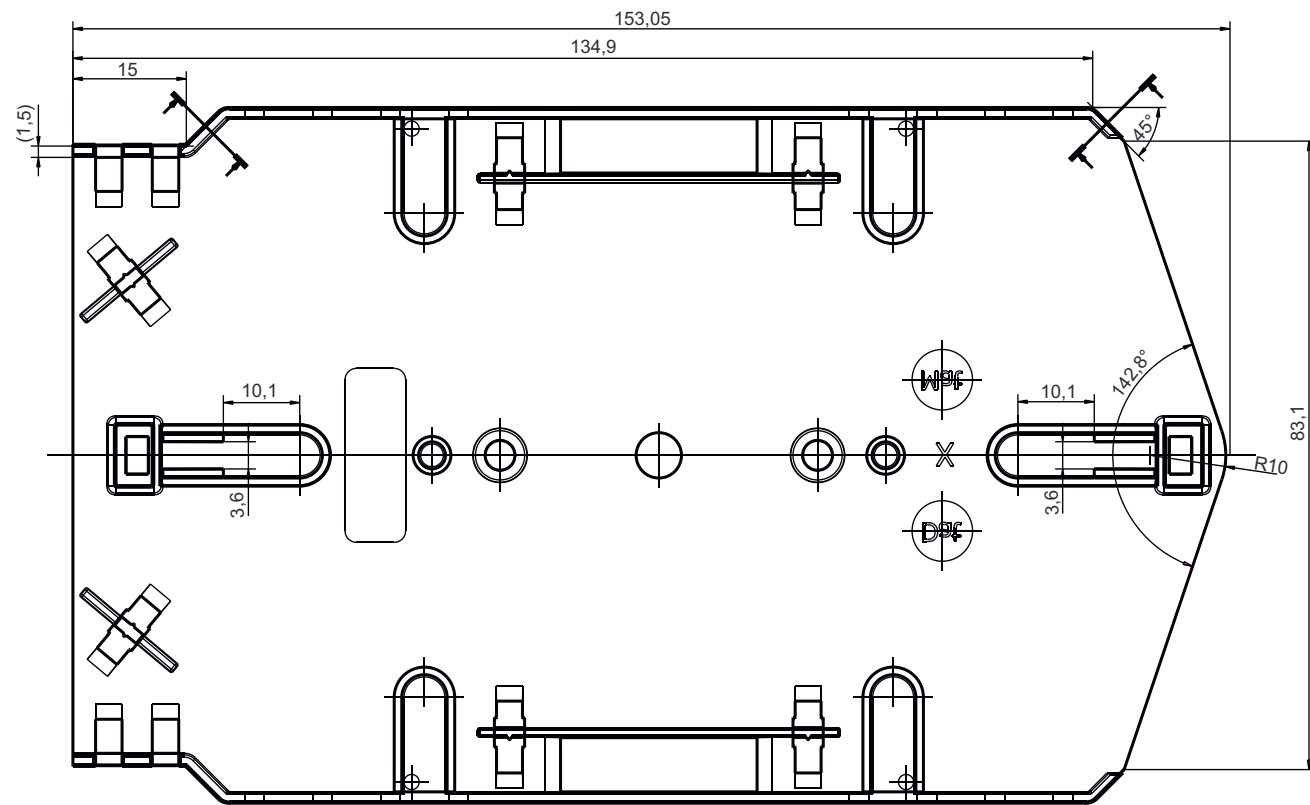


Dimensions: mm  
Original: DIN A3  
Sheet 2 of 7

# Technical Datasheet

## EasyLan<sup>®</sup> Overlength Box

Article No. : LVZ00015



<b>Material</b>	PC / ABS RAL 7035
<b>Surface</b>	Ra 1,8 VDI 3400 Ref.24

drawn	25.07.2017	LP
appr.	25.07.2017	MJ
Titel: EasyLan <sup>®</sup> Splice Cassettes System		
Drawing Number: ZN-ZB171101		



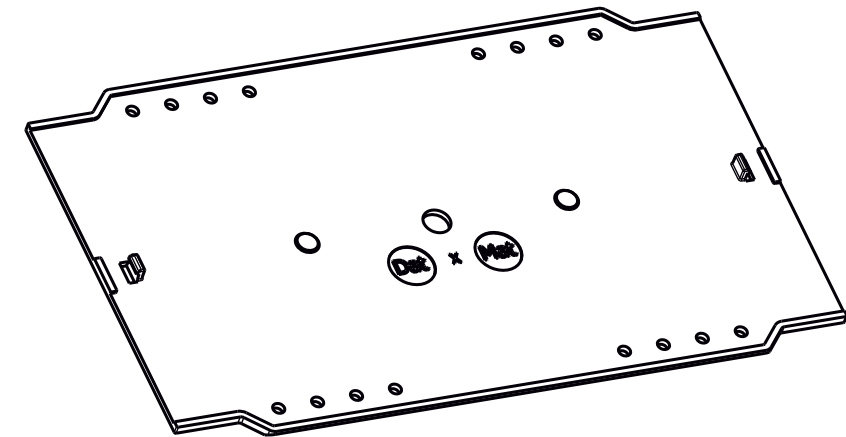
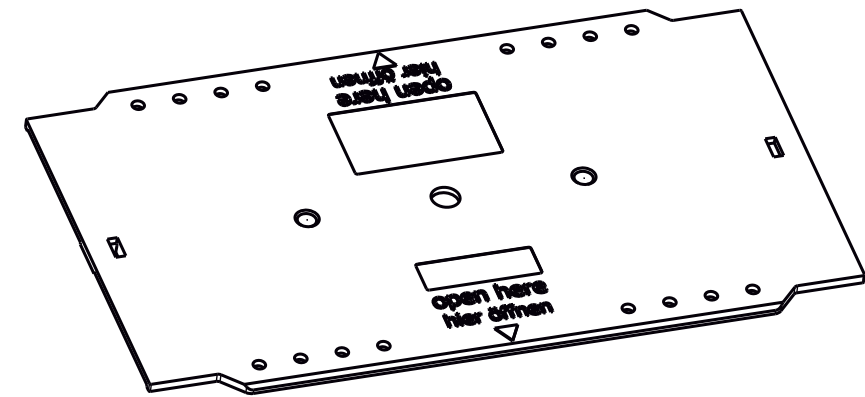
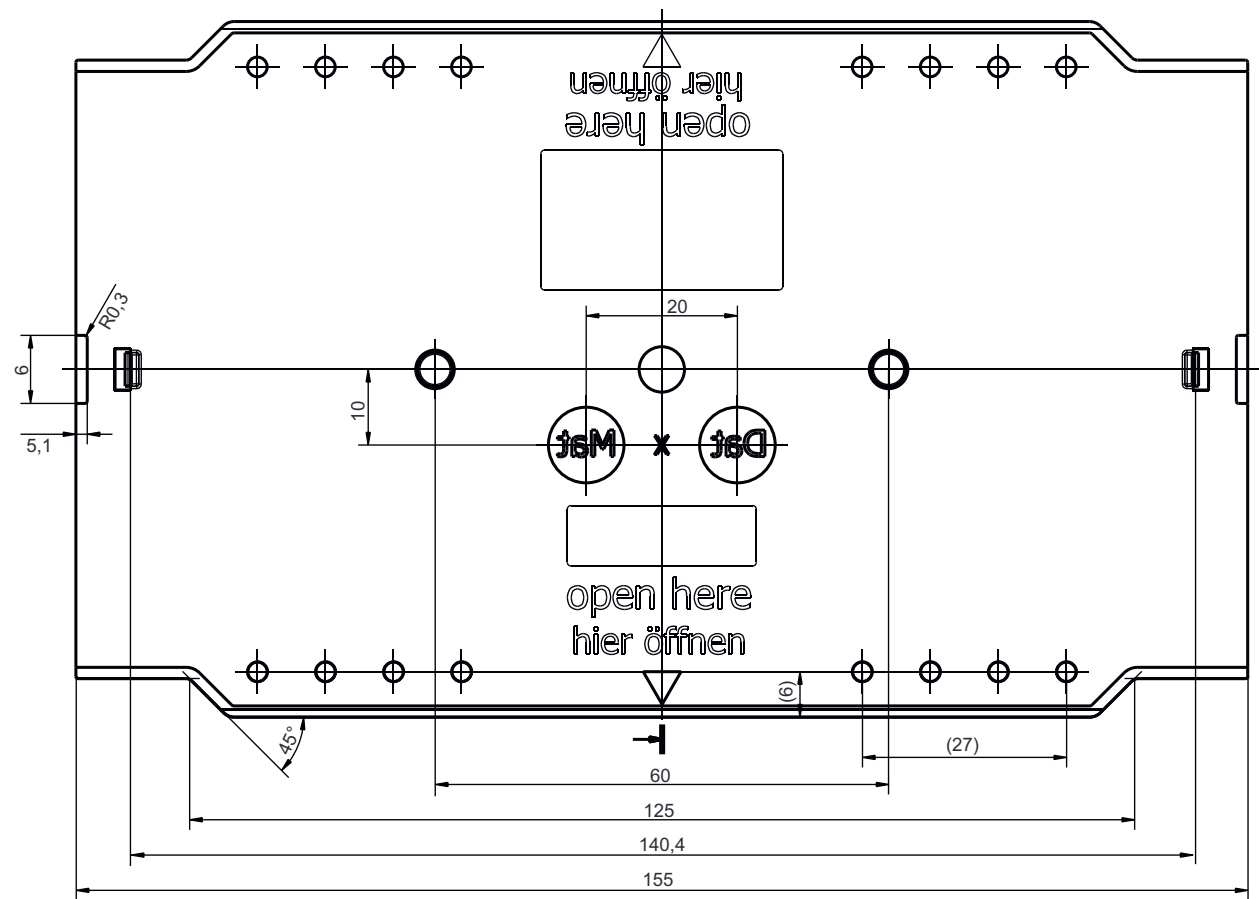
Dimensions: mm  
Original: DIN A3  
Sheet 3 of 7

All rights reserved ZVK GmbH D-94244 Teisnach Technologiestampus 2 Germany Phone: +49 9923 804379-0 Fax: +49 9923 804379-50 www.zvk-gmbh.de all data without guarantee

# Technical Datasheet

## EasyLan<sup>®</sup> Cover Splice Cassette

Article No. : LVZ00017



Material	PC / ABS RAL 7035
Surface	Ra 1,8 VDI 3400 Ref.24

drawn	25.07.2017	LP
appr.	25.07.2017	MJ
Titel: EasyLan <sup>®</sup> Splice Cassettes System		
Drawing Number: ZN-ZB171101		

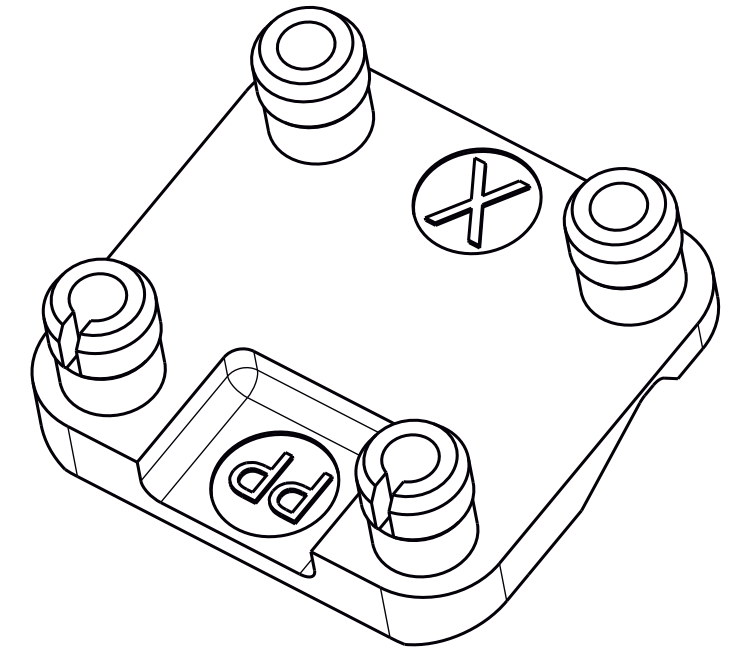
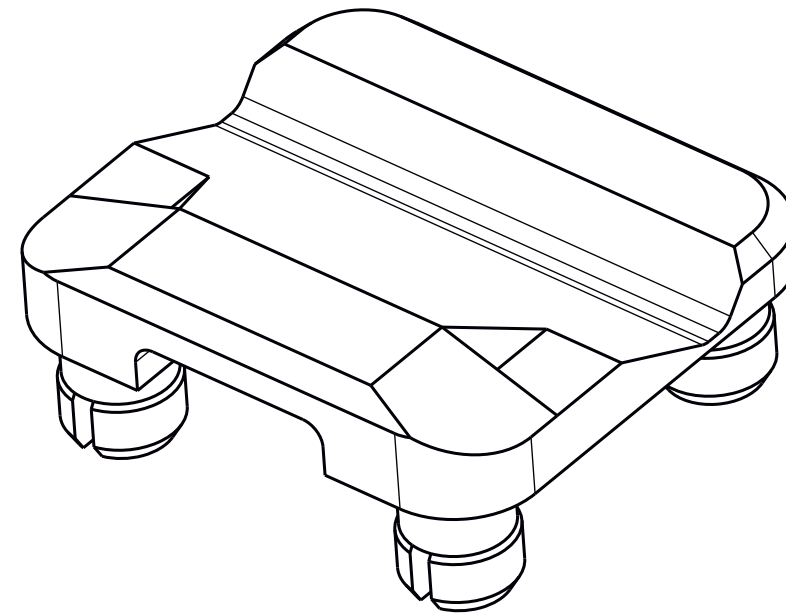
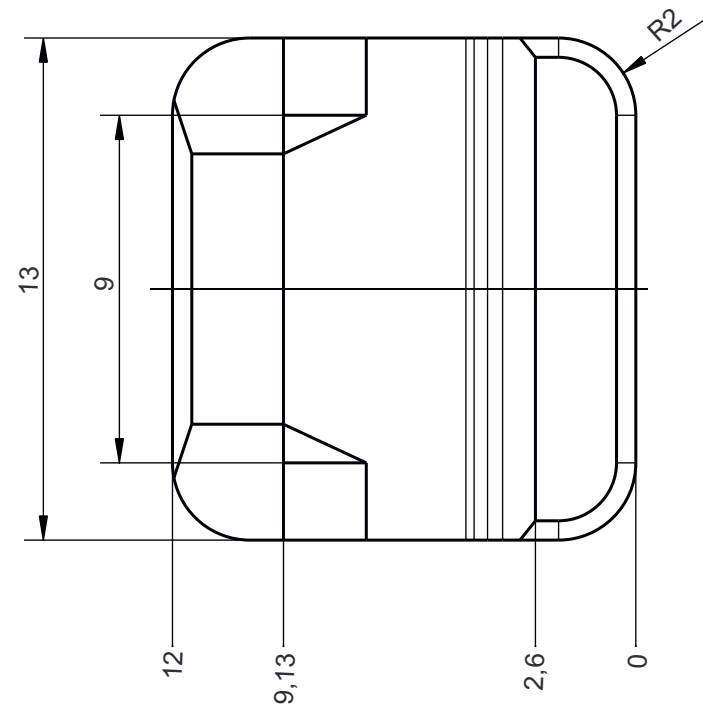


Dimensions: mm  
Original: DIN A3  
Sheet 4 of 7

# Technical Datasheet

## EasyLan<sup>®</sup> Integral Hinge

Article No. : LVZ00016



<b>Material</b>	PP RAL 5012
<b>Surface</b>	Ra 1,1 VDI 3400 Ref.24

drawn	25.07.2017	LP
appr.	25.07.2017	MJ
Titel: EasyLan <sup>®</sup> Splice Cassettes System		
Drawing Number: ZN-ZB171101		

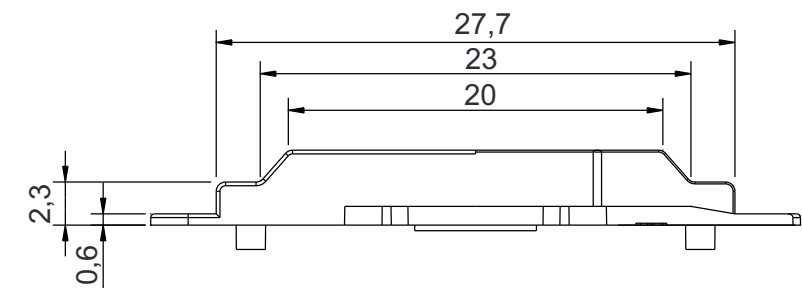
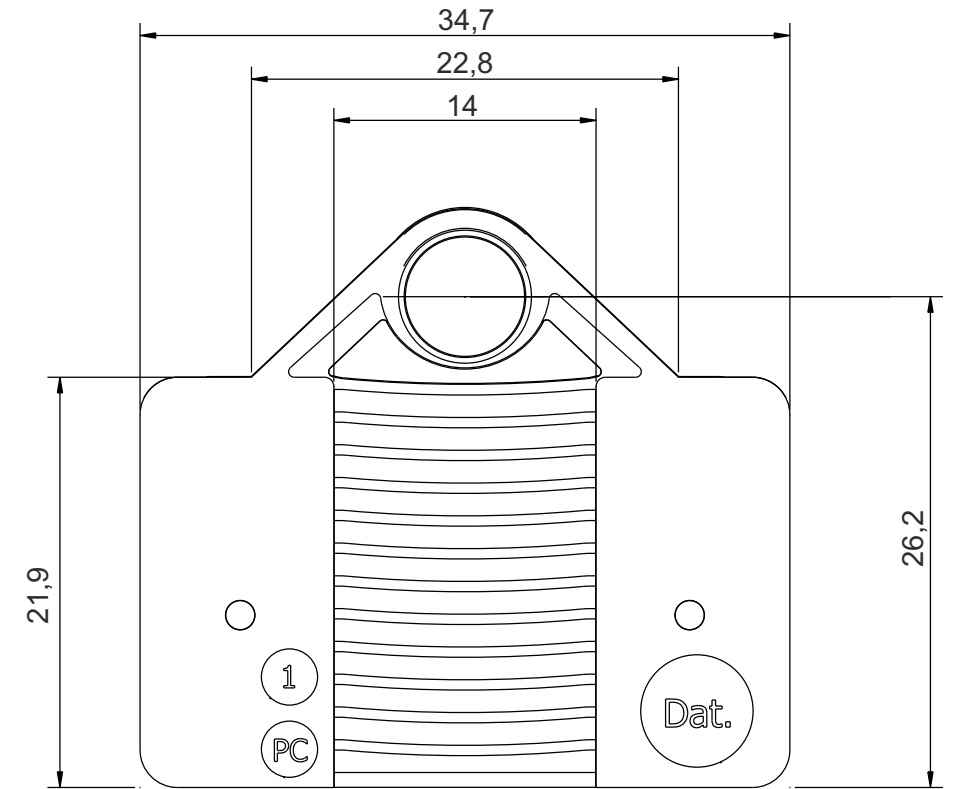
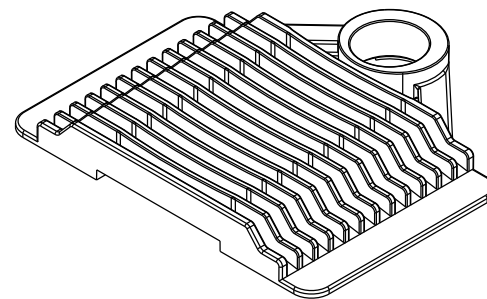
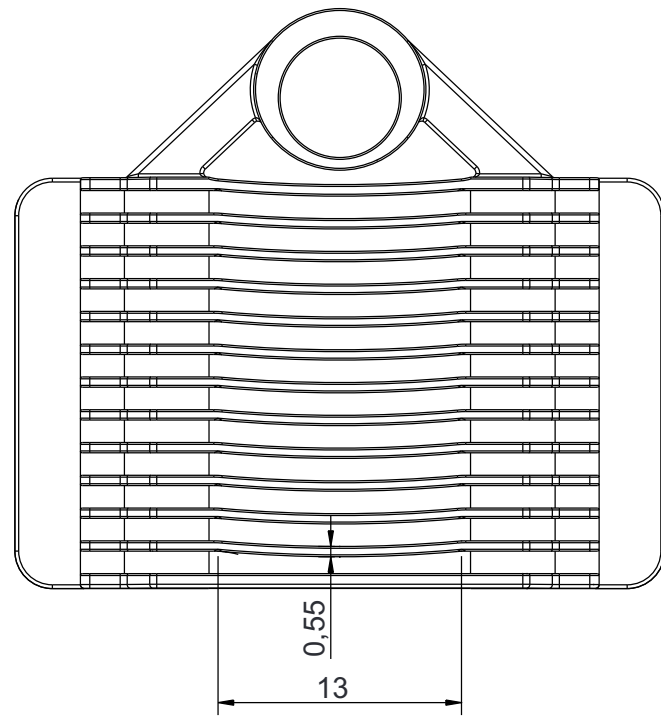


Dimensions: mm  
Original: DIN A3  
Sheet 5 of 7

# Technical Datasheet

## EasyLan<sup>®</sup> Splice holder

Article No. : LVZ00013



<b>Material</b>	Pa66 RAL 9005
<b>Surface</b>	Ra 1,1 VDI 3400 Ref.21

drawn	25.07.2017	LP
appr.	25.07.2017	MJ
Titel: <b>EasyLan<sup>®</sup> Splice Cassettes System</b>		
Drawing Number: <b>ZN-ZB171101</b>		



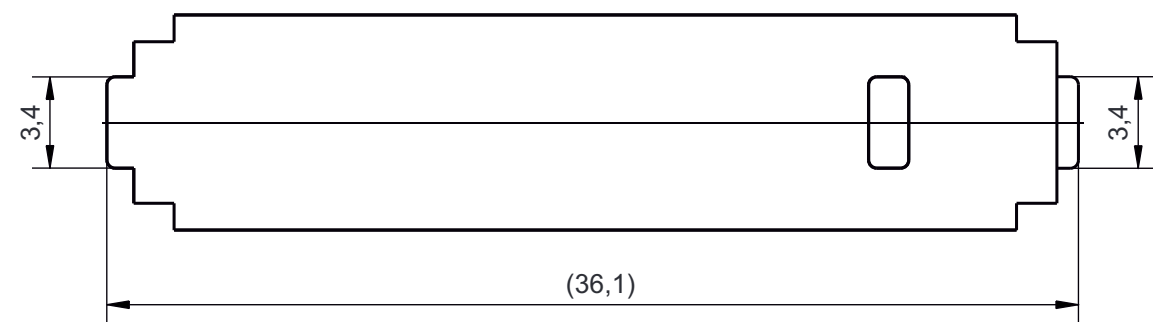
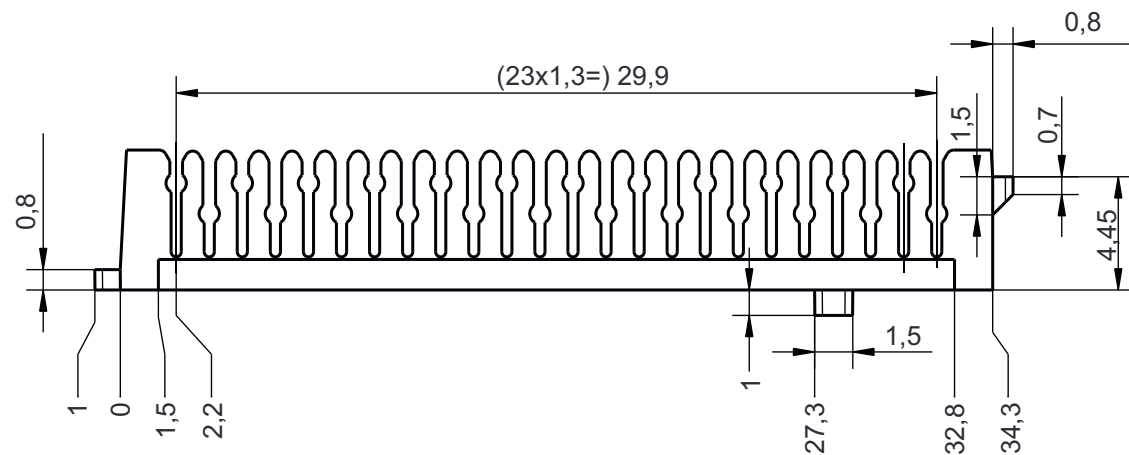
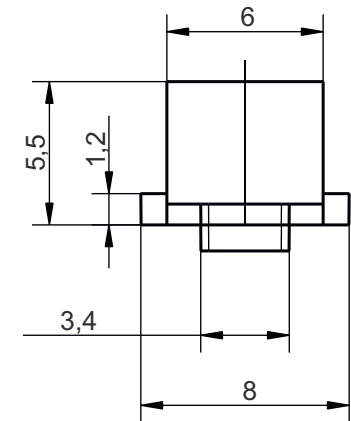
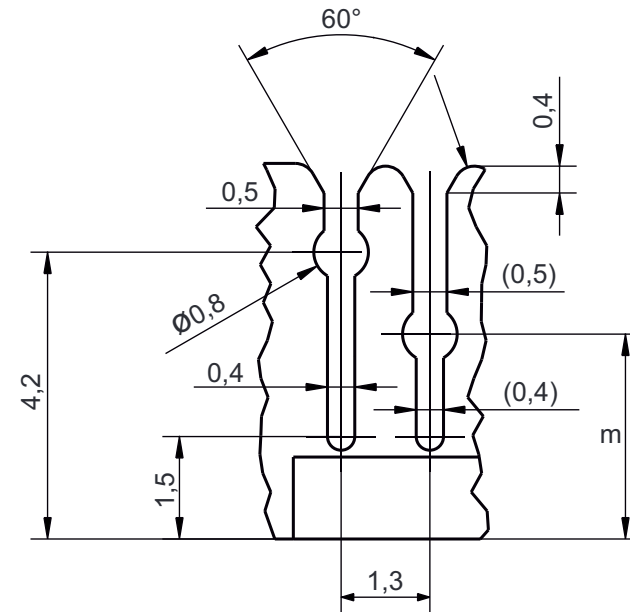
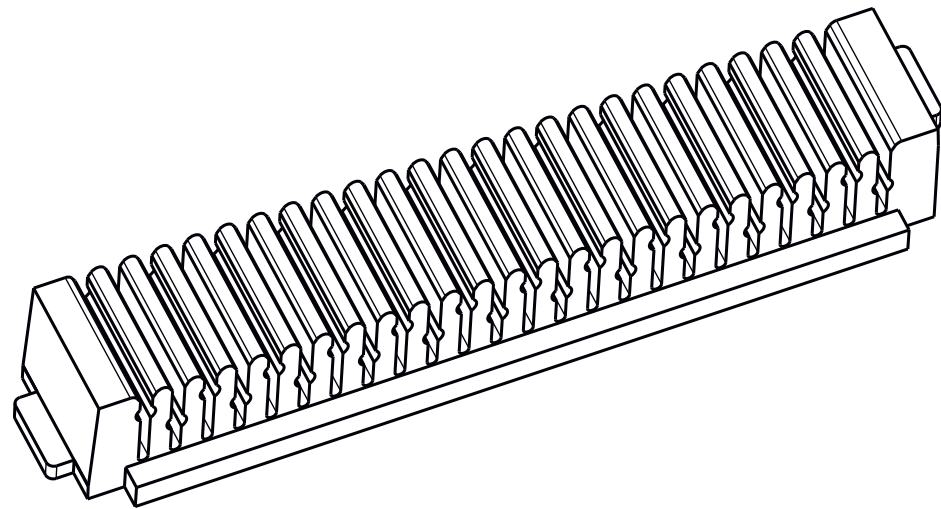
Dimensions: mm  
Original: DIN A3  
Sheet 6 of 7

All rights reserved ZVK GmbH D-94244 Teisnach Technologiestrasse 2 Germany Phone: +49 9923 804379-0 Fax: +49 9923 804379-50 www.zvk-gmbh.de all data without guarantee

# Technical Datasheet

## EasyLan<sup>®</sup> Fiber Guide

Article No. : LVZ00018



<b>Material</b>	PC RAL 3020
<b>Surface</b>	Ra 1,1 VDI 3400 Ref.21

drawn	25.07.2017	LP
appr.	25.07.2017	MJ
Titel: <b>EasyLan<sup>®</sup> Splice Cassettes System</b>		
Drawing Number: <b>ZN-ZB171101</b>		



Dimensions: mm  
Original: DIN A3  
Sheet 7 of 7